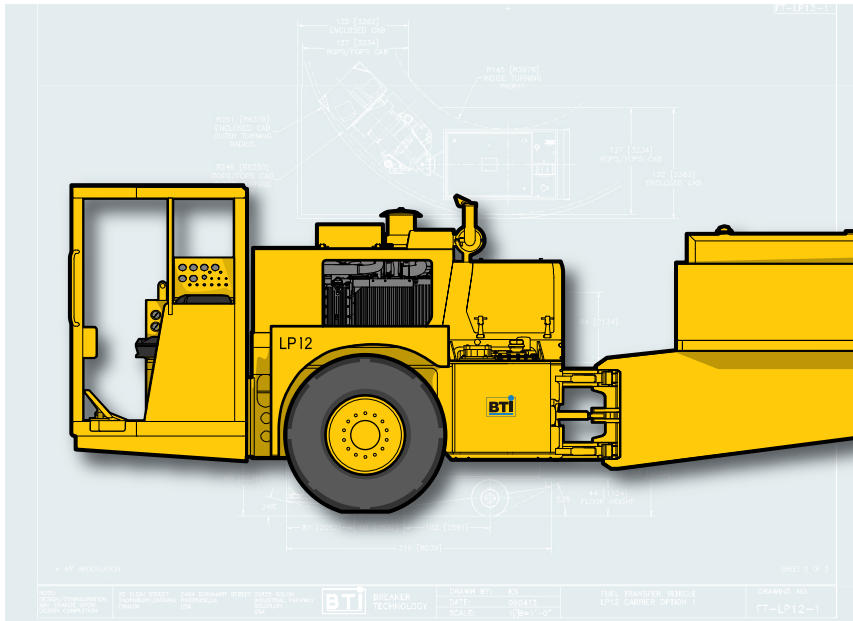


FT SERIES - LP12

Fuel Transfer Vehicle



AT A GLANCE

Weights & Dimensions:

Operating Weight 27,000 lbs (12,273 kg)	Overall Traming Length 26'-4" (8.04 m)	Overall Width 7'-0" (2.13 m)
Traming Height 7'-6" (2.28 m)	Carrier Articulation +/- 45°	Inside Turning Radius 12'-1" (3.68 m)
Outside Turning Radius 20'-11" (6.38 m)		

Note: weights & dimensions are nominal and vary depending on final engine, operator's enclosure & option configuration.

Engine Configurations:

- Deutz BF4M1013C ▲ Caterpillar C4.4 ACERT
- 122 hp (91 kW) @ 2300 rpm 127 hp (95 kW) @ 2200 rpm
- MSHA/Tier II Tier III

● Standard ▲ Optional

Diesel Fuel Reservoir – 770 gal (2,910 L)
Hose and Metering Nozzles – 50 ft (15 m) Hose

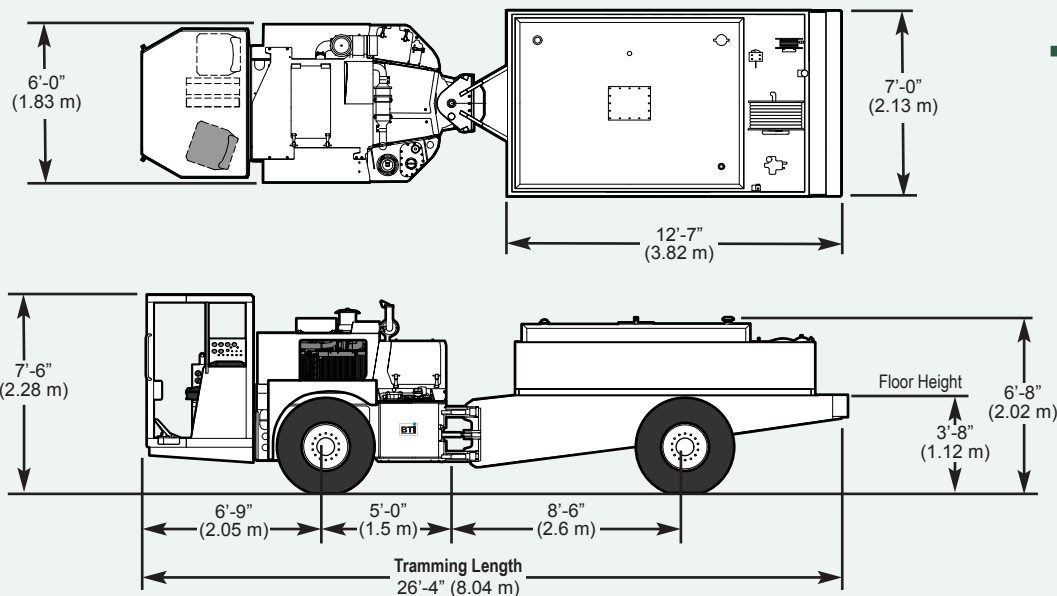
Fuel Transfer Pump – 30 gpm (114 lpm)
All-encompassing Catch Basin

FEATURES & BENEFITS

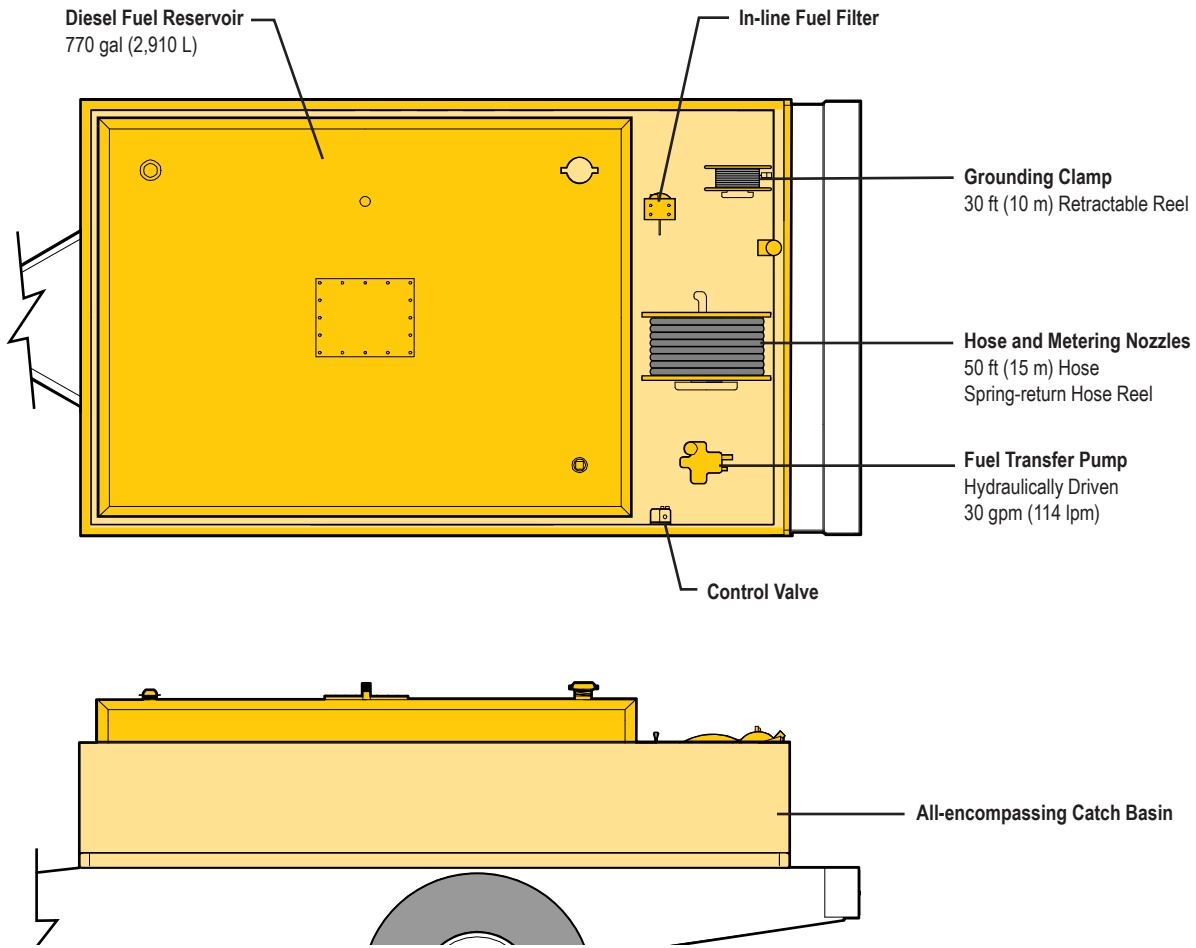
- High speed / high mobility underground fuel transfer vehicle.
- +/-45° vehicle articulation for tight turning radius.
- Close coupled engine/transverter provides a short turning radius and excellent weight distribution.
- Operator's compartment provides comfort and visibility for operator and passenger.

OPTIONS

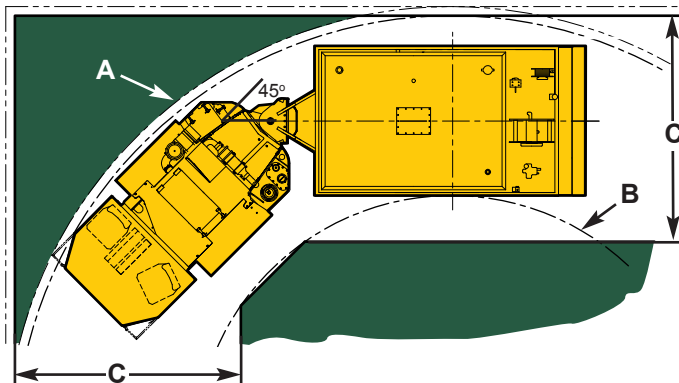
- Protective operator structure
- Seating configurations
- Air intake system
- Exhaust system
- Hydraulic filling system
- Tires
- Fire suppression system
- Wheel chocks
- Deck lighting



FT SERIES (LP12) FUEL TRANSFER COMPONENTS



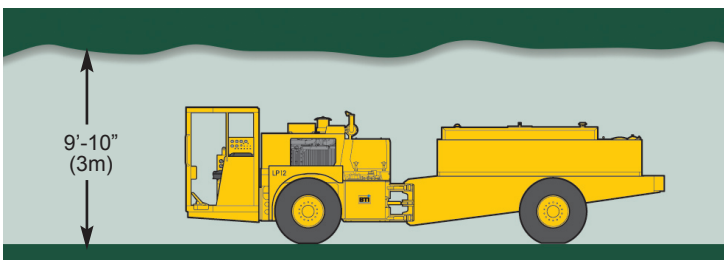
DRIVING SPECIFICATIONS



Turning Radius

Turning radius: +/- 45° articulation

		Fully Enclosed Cab	Open Air Canopy
A	Outside Turning Radius	20'-11" (6.38 m)	20'-6" (6.25 m)
B	Inside Turning Radius	12'-1" (3.7m)	
C	Minimum Mine Tunnel Width	11'-1" (3.36 m)	10'-7" (3.23 m)



Recommended Drift Height

BTI recommends a minimum drift height with cab: 9'-10" (3 m)

LP12 CARRIER - COMMON FEATURES

- Standard - common to all engine combinations
- ▲ Optional

Notes:

● CHASSIS

LP12 articulated 4-wheel drive, all welded construction

● ENGINE END OSCILLATION

+/- 8° c/w heavy framed external walking beam

● CARRIER ARTICULATION

+/- 45° by two opposing 4" (100 mm) bore x 2" (50 mm) rod steering cylinders complete with stick steering control

● HYDRAULIC CIRCUIT

30 gallon (114 liter) hydraulic tank
Hydraulic piston pump with load sense control
In-line hydraulic pressure filter / In-line return filter

● ELECTRICAL CIRCUIT

24 VDC start/run 85 amp alternator
Murphy Power Vu instrument cluster for electronic engines

FUEL SYSTEM

- Fuel Tank - 30 gallon (114 liter)

FT (LP12) FUEL TRANSFER VEHICLE CONFIGURATIONS

Choose one per group

- Standard
- ▲ Optional

Notes:

POWERTRAIN GROUPS

- Deutz BF4M1013C
- ▲ Caterpillar C4.4 ACERT

OPERATOR SEAT

- Suspension Seat, fixed
- ▲ Air Ride Seat, fixed

PASSENGER SEAT

- No passenger seat
- ▲ Suspension Seat, fixed
- ▲ Air Ride Seat, fixed

PROTECTIVE STRUCTURE

- Air canopy – uncertified, open
- ▲ Open air canopy – ROPS/FOPS certified
- ▲ Enclosed Cab – ROPS/FOPS certified including engine belt drive HVAC heat/air conditioner for engine drive applications

● DECK

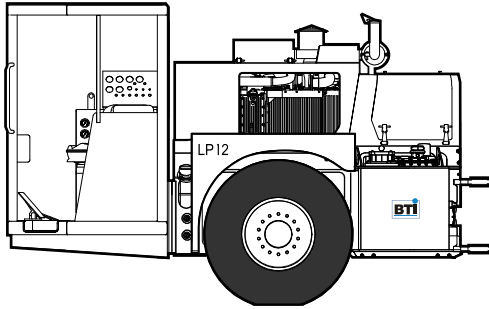
7' wide X 12'-7" long (2.13 m X 3.82 m) Deck
All-encompassing Catch Basin

● FUEL RESERVOIR

770 gal (2910 liter); clean-out access; sight gauges

POWERTRAIN GROUP OPTIONS

- Standard ▲ Optional



- **Engine:** Deutz BF4M1013C, four cylinder, turbocharged, intercooled diesel, MSHA Tier II, 122 hp (91 kW) @ 2300 rpm c/w fuel filter and water separator

Torque Converter: Clark T20000 series

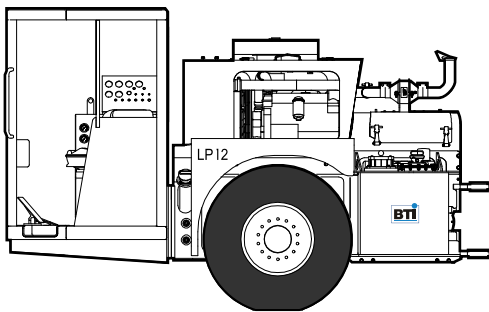
Transmission: Clark 20,000 series, long drop, remote mounted, electric shift
Three forward and three reverse speeds

Vehicle speeds with 12:00 x 20 tires @ 2200 rpm with standard axle ratio:
1st gear: 2.4 mph (3.9 kph) - 2nd gear: 6.2 mph (10.9 kph) - 3rd gear: 11.4 mph (18.3 kph)

Engine end axle: New Holland D65X no spin differential wet disk SAHR emergency brakes, wet disk HASR service brakes, complete with external walking beam, +/- 10 degrees oscillation

Deck end axle: New Holland D65X no spin differential wet disk SAHR emergency brakes, wet disk HASR service brakes

Drivelines: Mechanics 6C



- ▲ **Engine:** Caterpillar C4.4 ACERT electronic four cylinder, turbocharged, intercooled diesel, Tier III, 127 hp (95 kW) @ 2200 rpm c/w fuel filter and water separator.

Torque Converter: Clark T20000 series

Transmission: Clark 20,000 series, long drop, remote mounted, electric shift
Three forward and three reverse speeds

Vehicle speeds with 12:00 x 20 tires @ 2200 rpm with standard axle ratio:
1st gear: 2.4 mph (3.9 kph) - 2nd gear: 6.2 mph (10.9 kph) - 3rd gear: 11.4 mph (18.3 kph)

Engine end axle: New Holland D65X no spin differential wet disk SAHR emergency brakes, wet disk HASR service brakes, complete with external walking beam, +/- 10 degrees oscillation

Deck end axle: New Holland D65X no spin differential wet disk SAHR emergency brakes, wet disk HASR service brakes

Drivelines: Mechanics 6C

AIR INTAKE SYSTEM OPTIONS

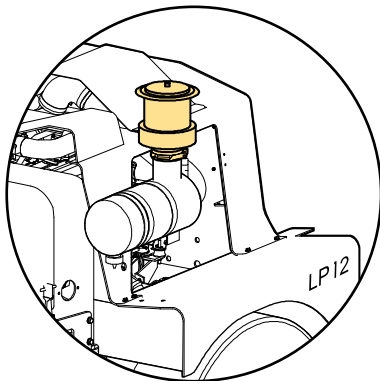
● Air Intake Filter

A dry element filter with safety element and replacement indicator.

▲ Air Intake Precleaner

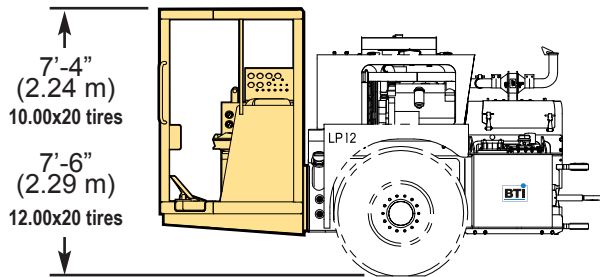
A dry element filter with safety element and replacement indicator, complete with a cyclone Pre-cleaner.

A pre-cleaner extends the life of your air filter by removing dirt and contaminants before they reach the filter and ejecting them automatically via the exhaust.



PROTECTIVE STRUCTURES OPTIONS

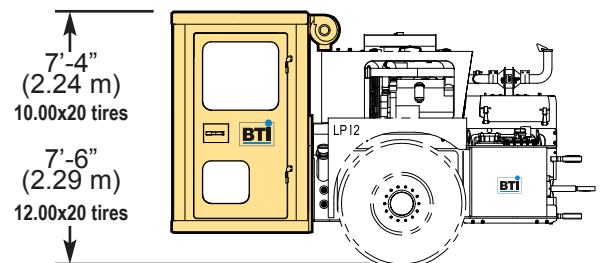
● Standard ▲ Optional



● Open Air Canopy – Uncertified

▲ ROPS/FOPS Canopy

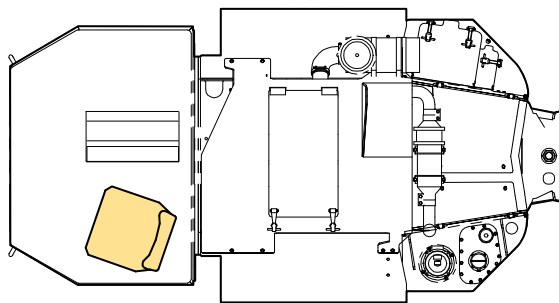
Open air canopy ROPS/FOPS certified



▲ ROPS/FOPS Cab

Full cab; covers operator, controls and passenger. Tested and certified ROPS/FOPS cab. Includes heavy-duty safety glass, wiper/washers, HVAC heat / air conditioning system, air pressurization system.

OPERATOR SEAT OPTIONS

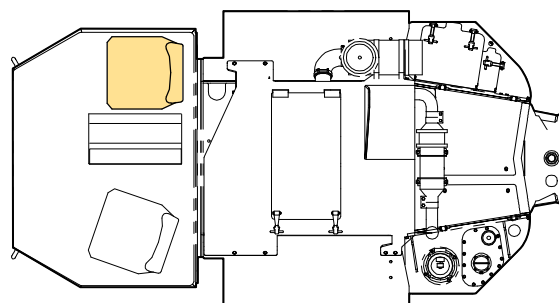


Operator Seat Options

● Suspension Seat, fixed ▲ Air Ride Seat, fixed

Mine duty operator seat options available in fixed suspension and fixed air ride variations.

PASSENGER SEAT OPTIONS



● No Passenger Seat

Passenger Seat Options

▲ Suspension Seat, fixed (facing front) ▲ Air Ride Seat, fixed (facing front)

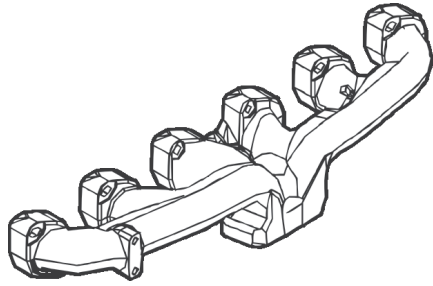
Mine duty passenger seat option available in fixed suspension and fixed air ride variations.

EXHAUST SYSTEM OPTIONS

- Standard ▲ Optional

● Catalytic Exhaust

A catalytic exhaust, purifier/silencer. No exhaust blanket.

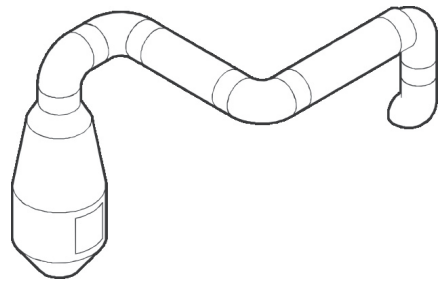


▲ Exhaust Manifold and Turbo Coating

Prevents fluids from igniting on hot engine and exhaust parts. High temperature performance: ideal for engine compartment components requiring long-term exposure to high temperatures.

Non-flammable. Protects personnel from burns.

Lowers ambient temperature; cooler engine compartment, less heat stress on operators and maintenance personnel.



▲ Exhaust System Wrap

Prevents fluids from igniting on exhaust parts. High temperature performance.

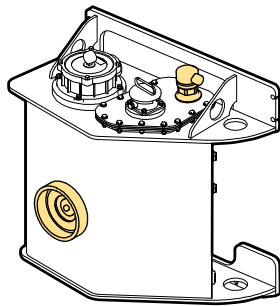
Non-flammable. Protects personnel from burns.

Lowers ambient temperature; cooler engine compartment, less heat stress on operators and maintenance personnel.

HYDRAULIC TANK OPTIONS

● Hydraulic Tank

30 gallon (114 liter) hydraulic tank, top fill, 4 psi pressurized cap.



▲ Hydraulic Tank with Fast Fill

30 gallon (114 liter) hydraulic tank complete with fast filling system. Designed for on-site fast fluid transfer.

TIRE OPTIONS

● Pneumatic Tires

12:00 x 20; 20 ply mine lug pneumatic tires

▲ Solid Tires

12:00 x 20 solid tires

▲ Foam Filled Tires

12:00 x 20 foam filled tires

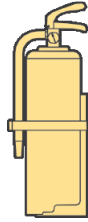
▲ Solid Tires

10:00 x 20 solid tires

FIRE SUPPRESSION SYSTEM OPTIONS

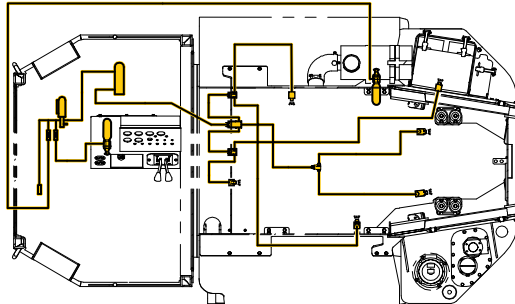
● Standard ▲ Optional

● No Fire Suppression System



▲ Fire Extinguisher

1 x 20 lb (9 kg) fire extinguisher.



▲ Ansul Fire Suppression

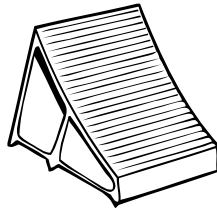
Ansul fire suppression system, 6 nozzle, complete with 2 actuators. Complete with 20 lb (9 kg) fire extinguisher.

▲ Ansul Fire Suppression with Detection

Ansul fire suppression system, 6 nozzle, complete with 2 actuators. Includes a check fire detection and activation system. Complete with 20 lb (9 kg) fire extinguisher.

WHEEL CHOCK OPTIONS

● No Wheel Chocks

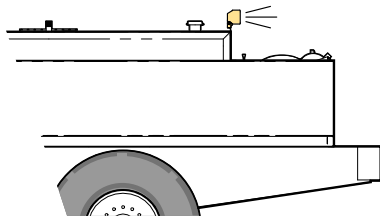


▲ Wheel Chocks - aluminum

Complete with holder

DECK LIGHTING OPTIONS

● No Deck Lighting



▲ Qty 2 - 70W Deck Lights

Halogen lamp 24V 70 watt



10463-ENG-1009

All dimensions and specifications are subject to change without notice.