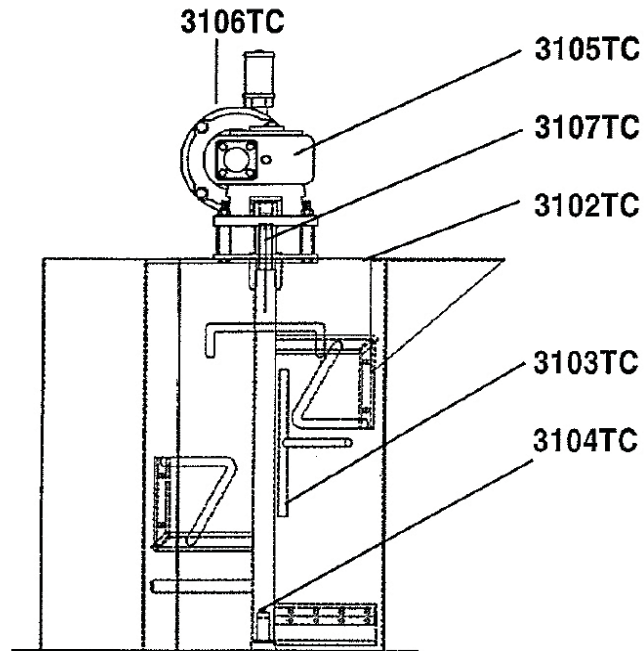
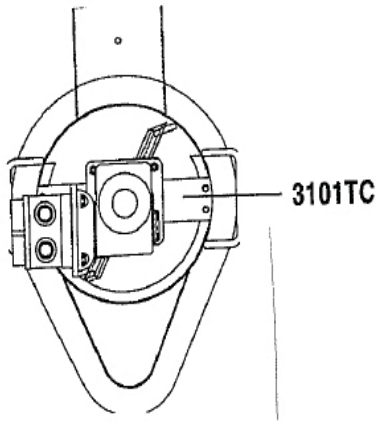


FEATURES

- Sturdy
- Heavy duty construction
- Portable-160 pounds
- Removable hopper
- 4.6 HP vane air motor with reducer
- 1" filter-lubricator system
- 20 gallon mixing tank
- The compatible partner to the Ictus/Spedel grouting pump which fits perfectly in the forward section of the mix tank



Part No.	Description
3101TC	Motor Mount Assembly
3102TC	Mixer Drum
3103TC	Agitator
3104TC	Agitator Centering Pin
3105TC	Gear Reducer
3106TC	Fenner VA6 Air Motor
3107TC	Adaptor Shaft
3108TC	Lubricator / Filter