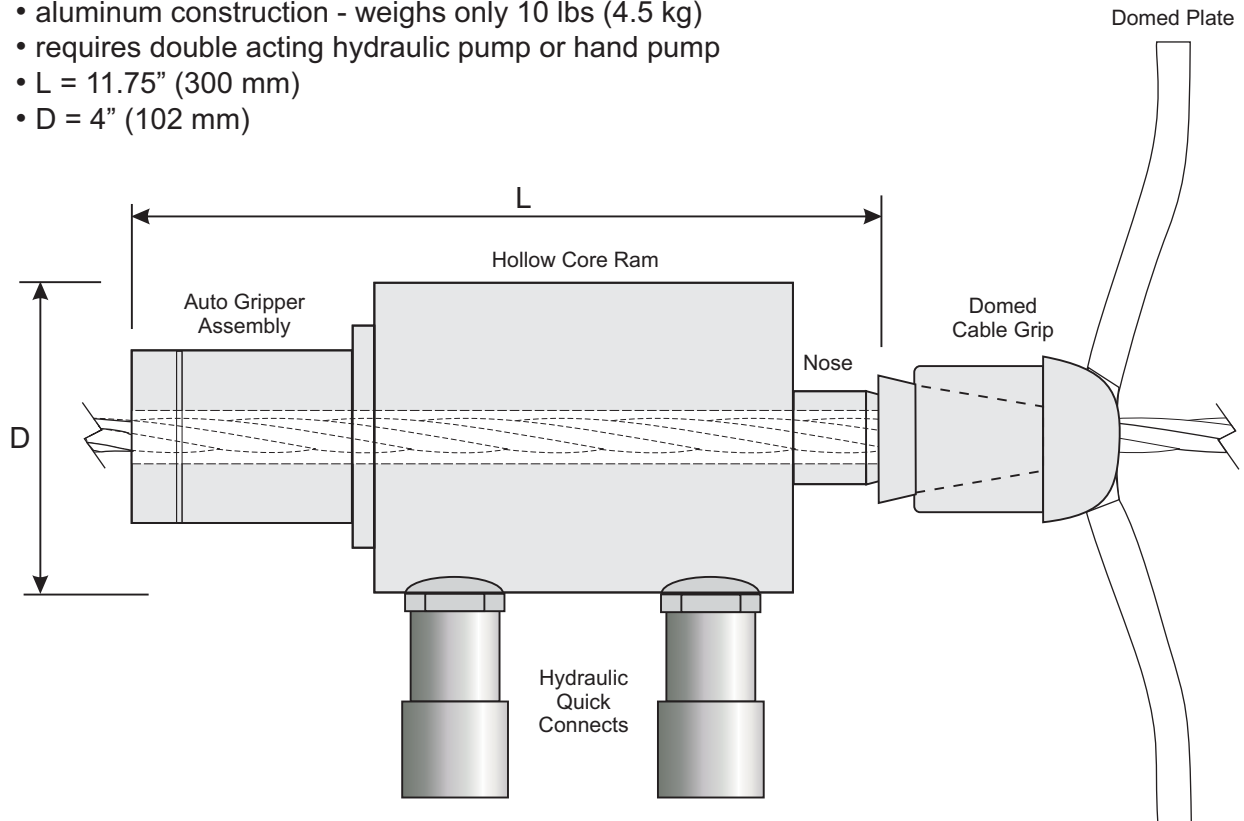


CBJ-1 Cable Bolt Tensioning Jack

For installation of bearing plates

SPECIFICATIONS

- for 0.6" (15.2 mm) cable bolts
- maximum load 25 ton @ 10,000 psi (225 kN @ 70 MPa)
- stroke = 3" (75 mm)
- double acting hollow core ram
- aluminum construction - weighs only 10 lbs (4.5 kg)
- requires double acting hydraulic pump or hand pump
- L = 11.75" (300 mm)
- D = 4" (102 mm)



PARTS LIST

- 75-90600 0.6" (3 pc) tensioning grip
- 76-30505 JA 0.6" autogripper assembly
- 76-30510 JB piston
- 76-30511 JC center tube
- 76-30512 JD cylinder
- 76-30514 JE quick coupler - 2 required
- 76-30515 JF relief valve (optional)
- 76-30520 CBJ-1 seal kit

includes:

- 1 - 2.25" AN wiper
- 1 - 2.25" x 2.75" x 3.75" rod seal
- 1 - 1.25" x 1.75" x 0.250" rod seal
- 1 - 2.31" O-ring
- 1 - 2.875" T-seal

