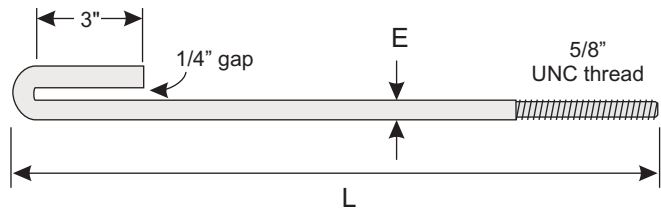


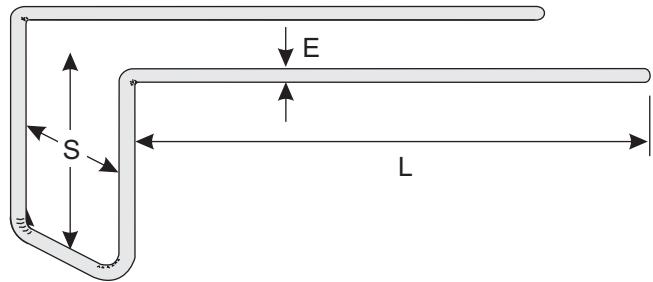
## PIPEHANGER (J-BOLT) - for 3/16" chain

- 1060 material (100,000 psi)
- E =  $\varnothing 9/16"$
- L = 18" and 24" overall
- rated for 2,000 lbs



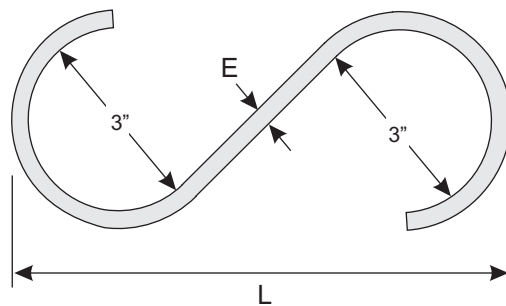
## BULLHORN - square timber support

- 44W material (60,000 psi)
- E =  $\varnothing 1"$ ,  $\varnothing 1-1/8"$  and  $\varnothing 1-1/4"$
- L = 18", 24", 30" and 36"
- S = 8"x8", 10"x10" and 12"x12"



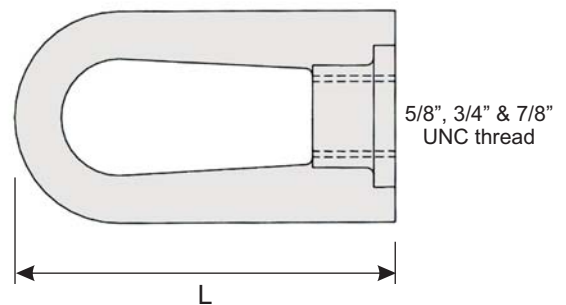
## S-HOOK HANGER

- 44W material (60,000 psi)
- E =  $\varnothing 5/16"$
- L = 8-1/2" overall
- also available plastic coated (for electrical use)



## SILL NUT (EYE NUT)

- available in: ductile iron - 2000 lb rating  
5140 alloy - 4000 lb rating
- L = 4-1/2" overall
- 5/8"-11, 3/4"-10 and 7/8"-9 UNC thread



## J- NUT

- available in: ductile iron - 500 lb rating  
5140 alloy - 700 lb rating
- L = 4-1/2" overall
- 5/8"-11, 3/4"-10 and 7/8"-9 UNC thread

